

M8 Angled Male Back Mount Socket(PCB, Screw M8*1, Grounded type)



- European standard Connectors M8 Series ,
- Structure type : Angled Socket ,
- Connection method : PCB ,
- Pin type : Male ,
- Contacts number : 3,4,5,6,8 pin ,
- Shield : No ,
- Certification : CE,RoHS,UL ,
- Standard : IEC 61076-2-104 ,

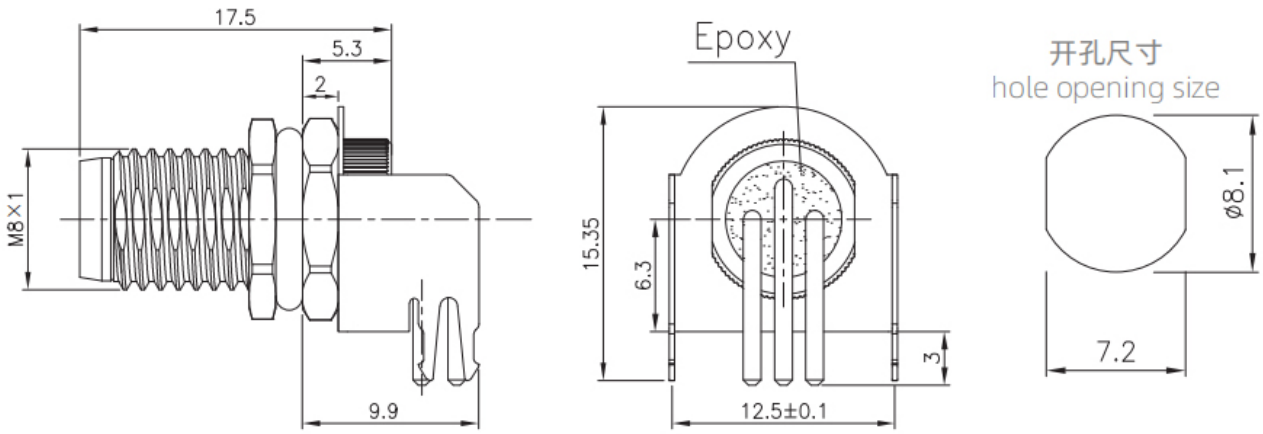
MECHANICAL PARAMETERS

Shell material :	Brass nickel plated
Insulator material :	PA66
Sealing material :	Epoxy resin/Rubber
Contact material :	Phosphorus copper gold-plated/Brass copper gold-plated
Molding material :	TPU/PVC
Insulation impedance :	$\geq 100 \text{ M}\Omega$
Contact impedance :	$\leq 5 \text{ m}\Omega$
Durability :	≥ 500 Cycles
Applicable temperature :	-25°C ~ +80°C
Waterproof grade :	IP65/IP67
Execution standard :	IEC 61076-2-104

M8 Angled Male Back Mount Socket(PCB, Screw M8*1, Grounded type)



DATASHEET



PCB ANGLED(Grounded type)

3	4	4D
5	6	8

ELECTRICAL PARAMETERS

M8 Angled Male Back Mount Socket(PCB, Screw M8*1, Grounded type)



芯数 Pins	针型 Male			额定电流 Rated current	额定电压 Rated voltage		导体规格 Conductor size		孔型 Female		
	A	B	D		A/C	D/C	AWG	mm ²	A	B	D
3				3A	60V	60V	24	0.25			
4				A型(A-Code): 3A D型(D-Code): 4A	A型(A-Code): 60V D型(D-Code): 48V	60V	24	0.25			
5				3A	30V	30V	24	0.25			
6				A型(A-Code): 1.5A D型(D-Code): 1.5A/3A	30V	30V	26	0.14			
8				1.5A	30V	30V	26	0.14			

Ordering products

Product Name	Screw	Structure	Pins	Product No.	3D Download	2D Download
M8 Angled Male Back Mount Socket-3A Pin	M8x1	PCB,Grounded type	3A	M8-P3A-GPL M8-JD		
M8 Angled Male Back Mount Socket-4A Pin	M8x1	PCB,Grounded type	4A	M8-P4A-GPL M8-JD		
M8 Angled Male Back Mount Socket-4D Pin	M8x1	PCB,Grounded type	4D	M8-P4D-GPL M8-JD		
M8 Angled Male Back Mount Socket-5B Pin	M8x1	PCB,Grounded type	5B	M8-P5B-GPL M8-JD		
M8 Angled Male Back Mount Socket-6A Pin	M8x1	PCB,Grounded type	6A	M8-P6A-GPL M8-JD		
M8 Angled Male Back Mount Socket-8A Pin	M8x1	PCB,Grounded type	8A	M8-P8A-GPL M8-JD		